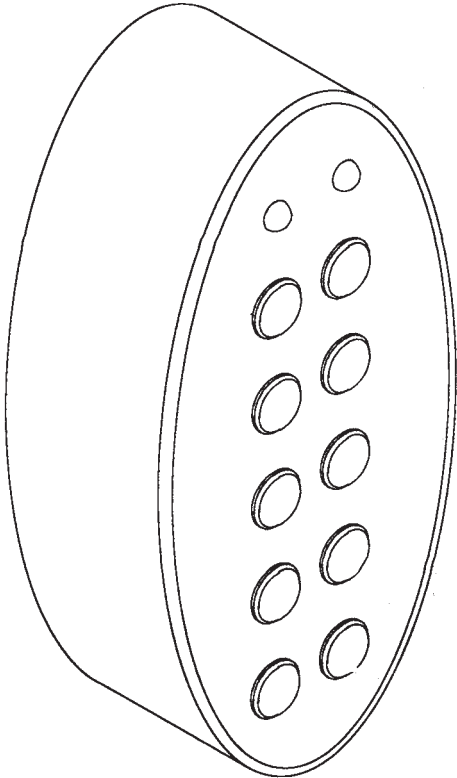


RiteKey 30-02 (Keypad With Full IP65 Rating)

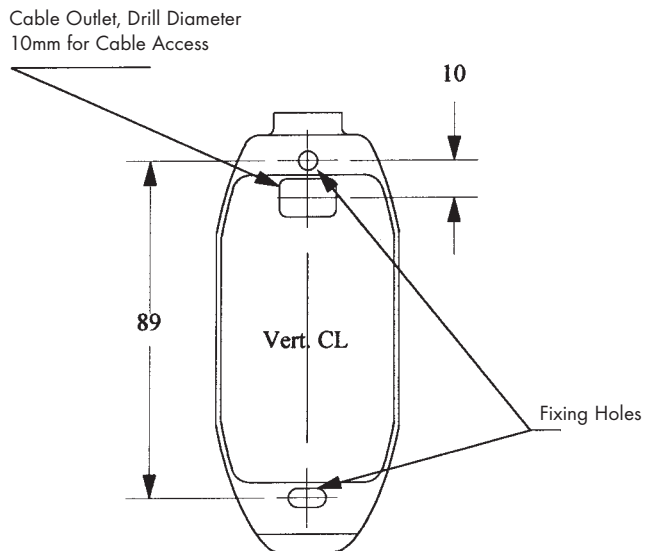


Contents

Installing Keypad and Backplatepage 1-2
Wiring Details.....page 3
User Manual.....page 4-5

Installing Keypad and Backplate

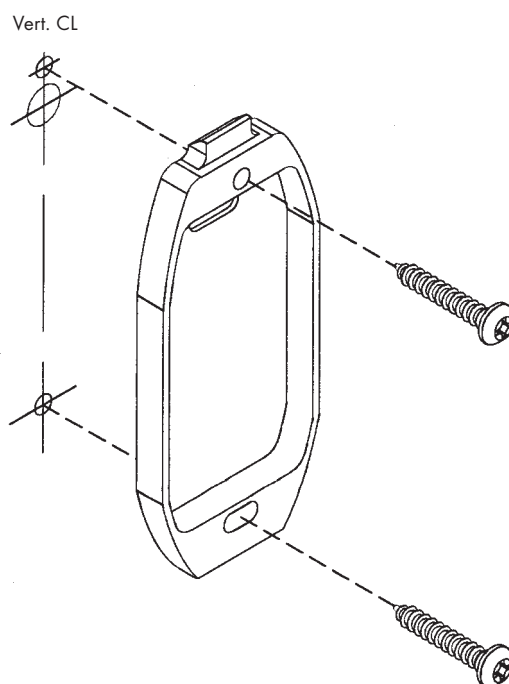
Fig.1 Positioning of Fixing Holes and Cable Outlet

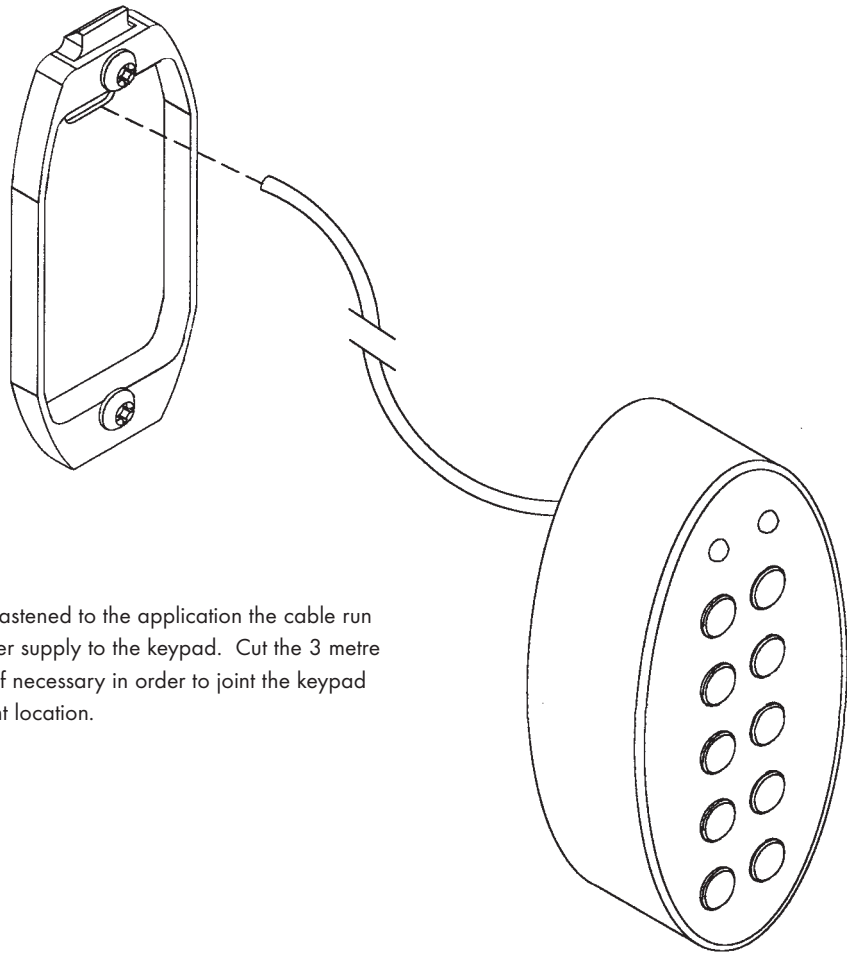


Remove the back plate, which is fitted to rear of the keypad, using a 2mm Allen key provided and put the screw in a safe place until required.

Fig.2 Preparation and Installation of Back Plate

1. Select a suitable location to fit the keypad and mark the position to two fixing screws and the cable access hole as per fig.1
2. If fitting to brickwork use the rawl plugs provided and drill two 6mm diameter holes to suit. Otherwise, drill the two fixing holes 3mm in diameter to allow a 4mm button head screw to cut its own thread. The cable access hole should be 10mm in diameter to give sufficient clearance.





3. Once the back plate is securely fastened to the application the cable run should be installed from the power supply to the keypad. Cut the 3 metre length supplied with the keypad if necessary in order to joint the keypad cable with the run at a convenient location.

Fig. 3 Inserting Keypad Cable into Back Plate

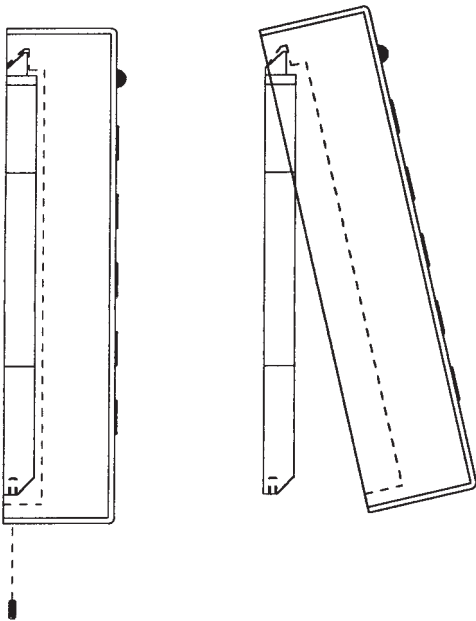


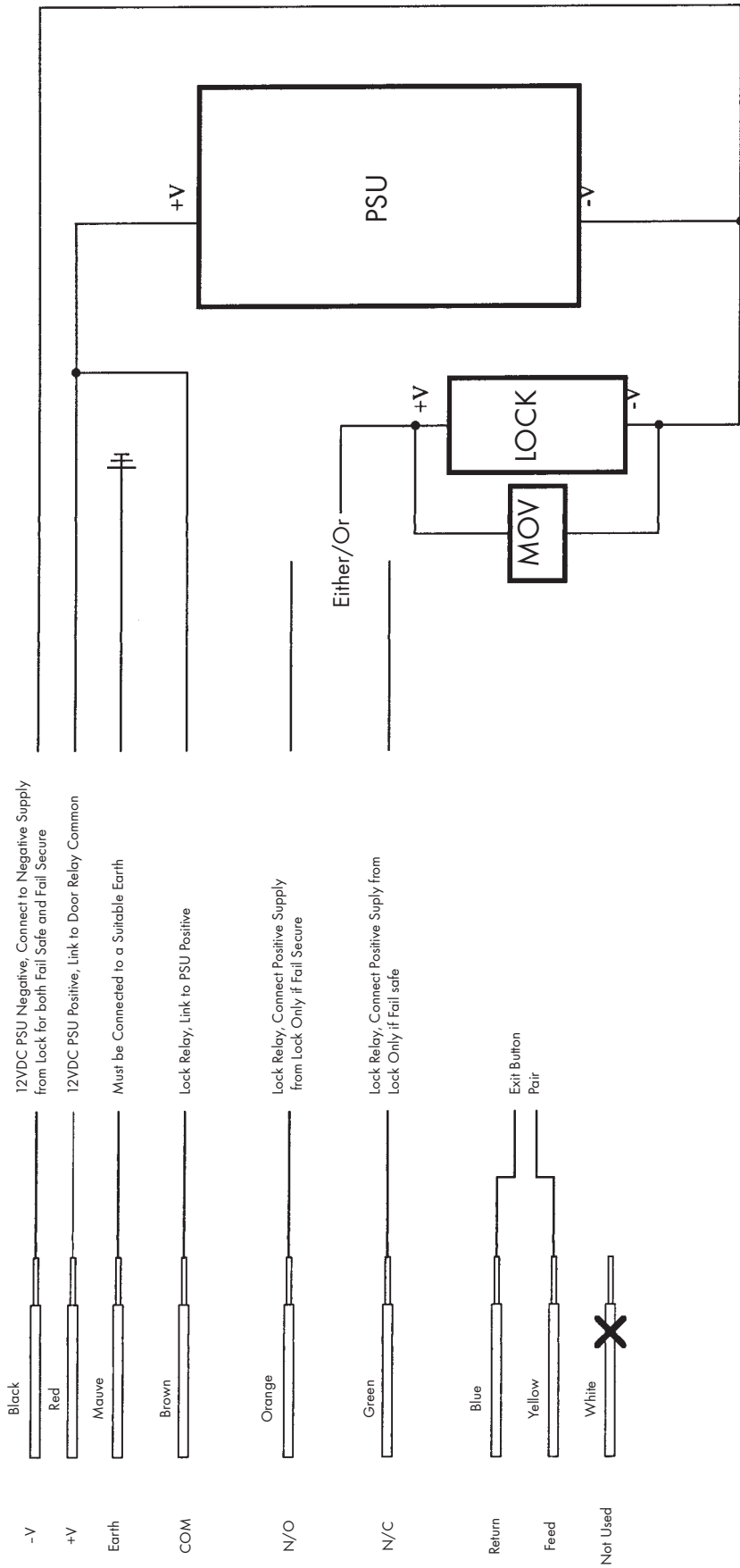
Fig.4 Fitting Keypad to Back Plate

4. Having connected the keypad to the cable run, hook the keypad onto the back plate slot in the rear of the keypad located at the top of the aperture as per fig. 4. Pivot the keypad so that it sits flat against the back plate and is in line with the tap hole located in the underside of the flange of the back plate. Tighten the Allen screw and complete the remaining tasks as described.
5. Ensure the diameter of the cable is sufficient for the length of the run and the amperage draw of the lock so as to minimise line drop.
6. Ensure the MOV supplied is fitted to the lock either to its supply cables or on its supply connections on its terminal block.

Wiring Diagram For RiteKey 30-02 (12VDC Shown)

Specification

- Operating Voltage: 12 to 18 Volts AC or DC
- Current Consumption: standby mode approx. 15ma
- Maximum Draw: 130ma (not including door lock)
- Door Relay: maximum rating 2 amps at the operating voltage
- Service Temperature: +70 to -20 degrees C.



Note: 1) The lock must also be fitted with the MOV supplied.

User Manual for RiteKey 30-01/02

Glossary of Terms

Master Code

The code used for programming the user codes and any changes to the default settings of the keypad.

User Code

The access code given to an individual user that will allow entry to the building but does not allow the user to change any of the codes or default settings.

Duration of Door Unlocked Mode

The period of time that can be set between 01 and 99 seconds for which the electrical locking hardware can be unlocked to allow entry to the building.

Duration of Door Latched Mode

The period of time that can be set between 01 and 99 minutes for which the electrical locking hardware can be held in the unlocked position. This feature is activated by entering the user code followed by 0 and is useful on occasions such as deliveries.

Operating Mode

Once the user code has been entered the unit will switch for the duration of the Door Unlocked Setting to allow entry to the building and the green LED will flash at a rate of one per second. An incorrect code will result in the red LED flashing once and the unit will return to standby.

Standby Mode

The Mode in which the keypad is not in use and the function to which it returns after it has completed an operation. Or if an operation is not concluded a period of time that can be adjusted from 01 to 99 seconds will lapse before the keypad reverts to standby mode. This will also occur in programming. The period of time taken to revert back to the standby mode, this can be adjusted from 1 to 99 seconds. This will also occur in programming.

Duration of the Exit Button Override Mode

The period of time that can be set between 01 and 99 seconds for which the electrical locking hardware can be unlocked to allow exit from the building.

Setting Up

1. Factory Default Settings

- The Master Default Code is a 5 digit number and is factory set at 12345.
- The Duration of Door Unlocked Mode to unlock the electrical locking hardware is factory set at 10 seconds.
- The Duration of Door Latched Mode to unlock the electrical locking hardware is factory set at 10 minutes.
- The Exit Button Time Delay to unlock the electrical locking hardware is factory set at 10 seconds.
- The Duration the Exit Button Override Mode is factory set at 10 seconds.

2. Resetting the Master Code to Either 4 or 5 Digits

- This function only needs to be carried out if the master code is to be changed to a 4 digit code or having set a 4 digit code a change back to a 5 digit code is required. Note that using this function will erase the memory of the keypad and will therefore delete all of the User Codes from 01-50. If this function is to be carried out after initial programming, the existing User Codes should be recorded before hand.
- Disconnect the power to the keypad.
- Press either button 4 or 5 (depending on whether a 4 or 5 digit code is required and keep it pressed).
- Apply power to the keypad and wait until the green LED is lit before releasing the button.
- The red LED should now be lit.
- Enter the first digit of the new master code and keep it pressed until the red LED is not lit and then release.
- Enter the remaining digits of the new master code, the red LED should not be lit when each digit is pressed until the full code had been entered where it will light for approximately three seconds followed by the green LED flashing in standby.
- Write down the master code.

3. To Change the Master Code

- Enter the default or old master code and wait for the LED to come on.
- Enter the default or old master code for a second time and wait for the green to come on.
- Press keys 00 and wait for the red LED
- Enter the new master code and the green LED will flash in standby.
- Write down the new master code and keep it in a safe place. Do not use the master code as a user code.
- The green LED will flash in standby.

4. To Create/Change the User Code

- Enter the 4 or 5 digit master code and wait for the red LED to come on.
- Enter the master code for a second time and wait for the green LED to come on.
- Press any two keys i.e. 01 to 50 to store the User Code Position Number and wait for the red LED to come on.
- Enter the new User Code, which must consist of 4 digits for a 4 digit master code and 5 digits for a 5 digit master code. Regardless of the number of digits, do not use the master code as a user code. Do not use the same User Code for other User Code Position Numbers.
- Write down the new 2 digit User Code Position Number and the new 4 or 5 digit User Code number.

5. Changing the Delay for the Back to Standby Mode

- Enter the Master Code and wait for the red LED to come on.
- Enter the Master Code for a second time and wait for the green LED to come on.
- Enter the code 66 and the green LED should be lit.
- Press any two keys from 01 to 99 for the new time delay (01 being 1 second and 99 being 99 seconds).
- The green LED will then flash in standby.

6. To Change the Duration of Door Latched Mode

- Enter the master code and wait for the red LED to light.
- Enter the master code for the second time and wait for the green LED to light.
- Press keys 71, and the green LED will light.
- Press any two keys from 01 to 99 for the new time delay in minutes (01 being 1 minute and 99 being 99 minutes).
- The green LED will then flash in standby.

7. To Change the Duration of Door Unlocked Mode

- Enter the master code and wait for the red LED to light.
- Enter the master code for the second time and wait for the green LED to light.
- Press keys 77, and the green LED will light.
- Press any two keys from 01 to 99 for the new time delay in seconds (01 being 1 second and 99 being 99 seconds).
- The green LED will then flash in standby.

8. To Delete all User Codes from Positions 01 to 50

- Enter the master code and wait for the red LED to light.
- Enter the master code for the second time and wait for the green LED to light.
- Press keys 88, and the red LED will light for approximately 3 seconds.
- The green LED will then flash in standby.

9. To Change the Duration the Exit Button Override Mode

- Enter the master code and wait for the red LED to light.
- Enter the master code for the second time and wait for the green LED to light.
- Press keys 99, and the green LED will light.
- Press any two keys from 01 to 99 for the new time delay in seconds (01 being 1 second and 99 being 99 seconds).
- The green LED will then flash in standby.